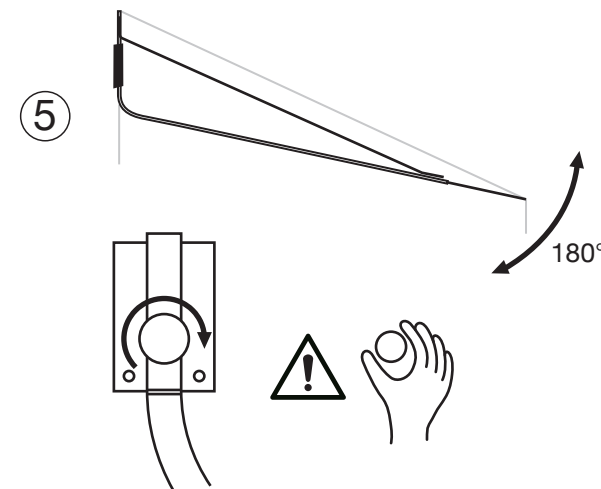
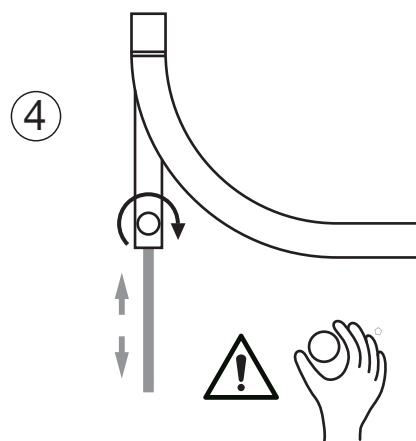
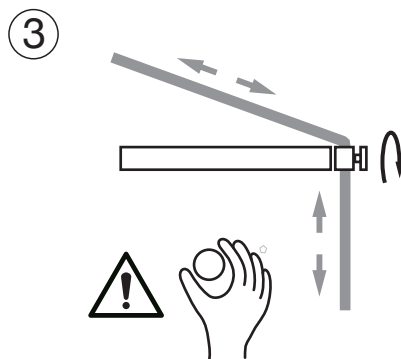
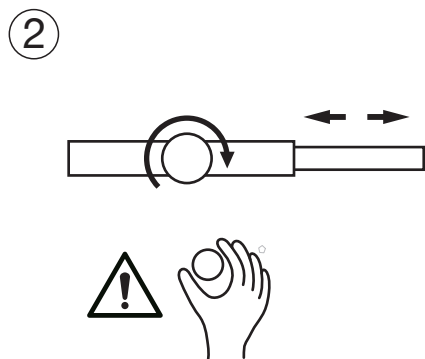
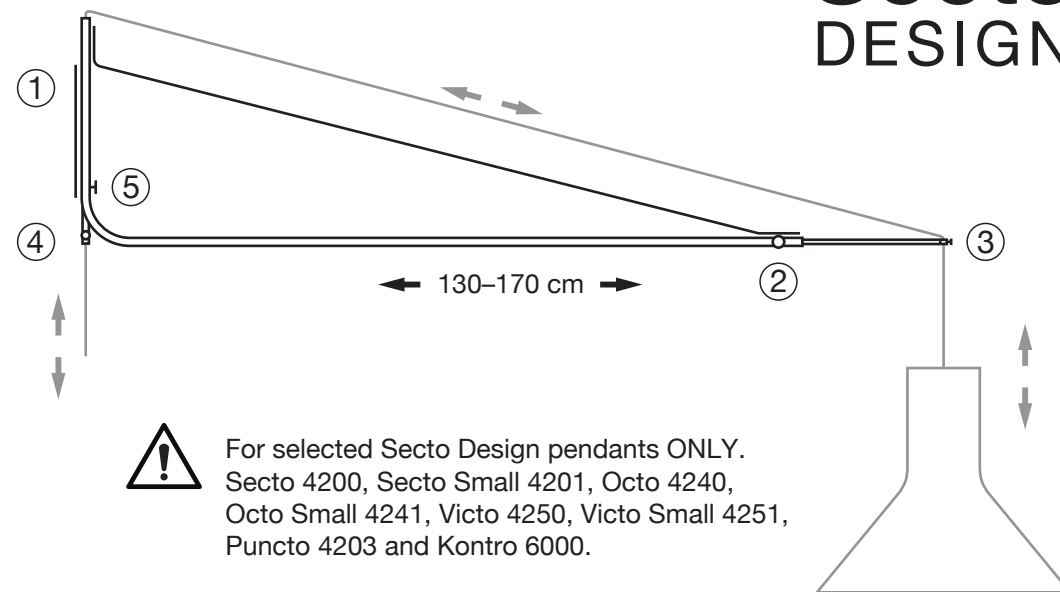
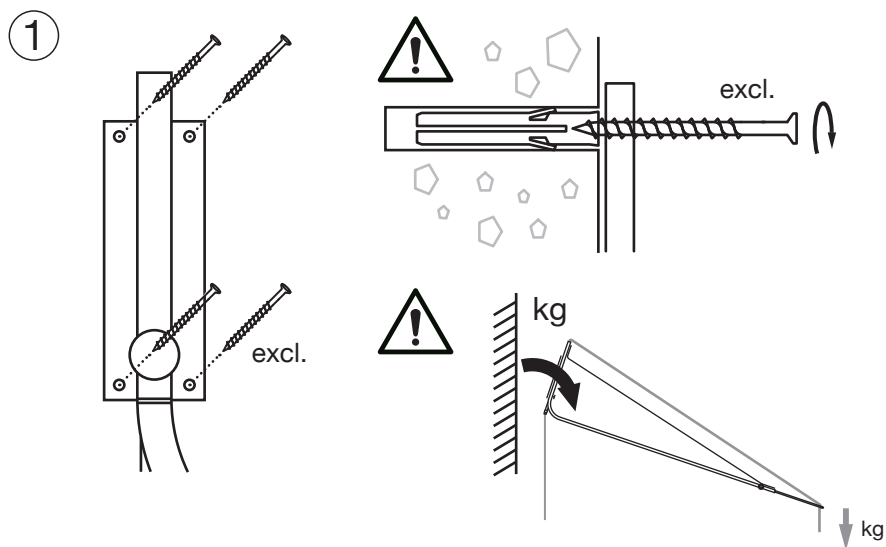


Varsi 1000 suspension arm | Instructions

**Secto
DESIGN**



! The cable can only be replaced by the manufacturer or a certified electrician.

! To reduce the risk of strangulation the flexible wiring connected to this luminaire shall be effectively fixed to the wall if the wiring is within arm's reach.